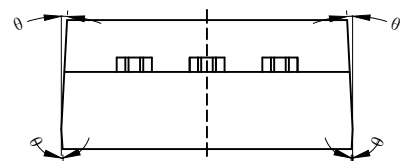
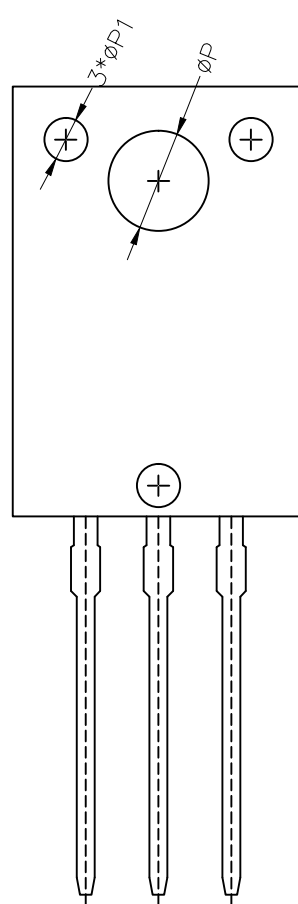
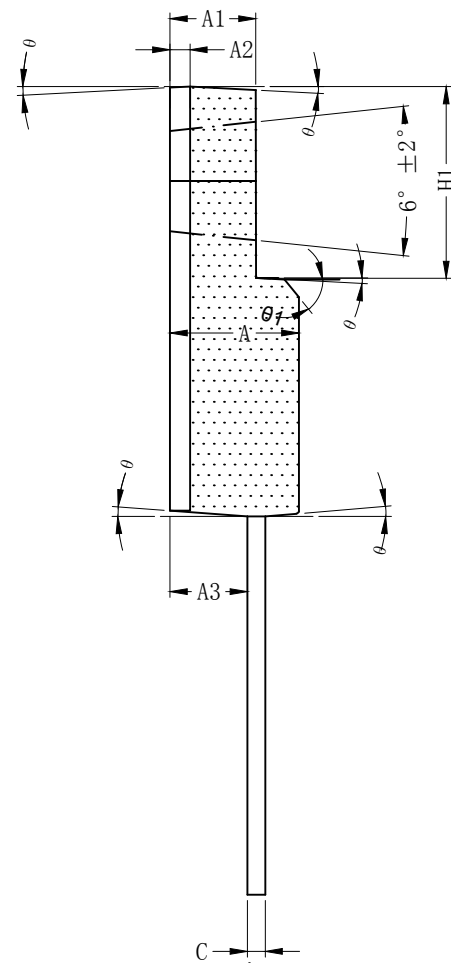
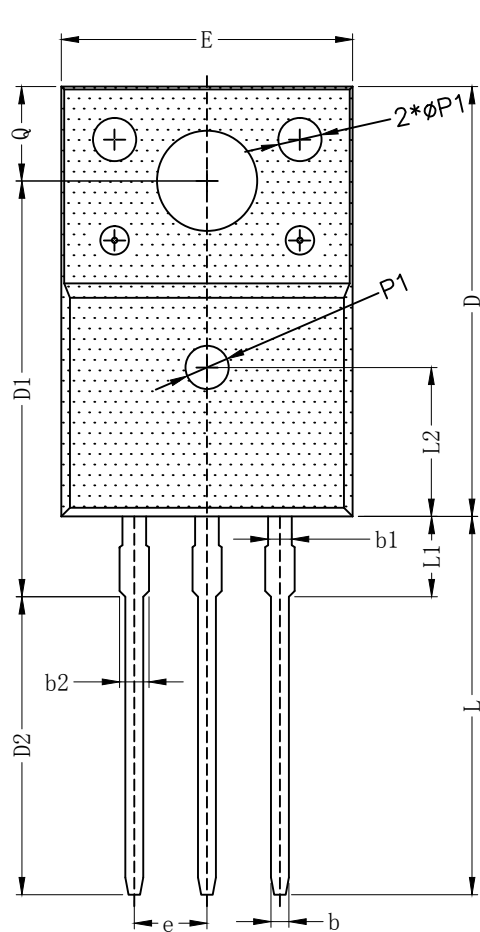



|      |      |                 |          |          |
|------|------|-----------------|----------|----------|
| MARK | MARK | REVISION RECORD | REVISERE | APPROVER |
| △    |      |                 |          |          |
| △    |      |                 |          |          |



| SYMBOL | MILLIMETER |       |       |
|--------|------------|-------|-------|
|        | MIN        | NOM   | MAX   |
| A      | 4.50       | 4.70  | 4.83  |
| A1     | 2.34       | 2.54  | 2.74  |
| A2     | 0.70REF    |       |       |
| A3     | 2.56       | 2.76  | 2.93  |
| b      | 0.70       | --    | 0.90  |
| b1     | 1.18       | --    | 1.38  |
| b2     | --         | --    | 1.47  |
| c      | 0.45       | 0.50  | 0.60  |
| D      | 15.67      | 15.87 | 16.07 |
| D1     | 15.55      | 15.75 | 15.95 |
| D2     | 9.60       | 9.80  | 10.00 |
| E      | 9.96       | 10.16 | 10.36 |
| e      | 2.54BSC    |       |       |
| H1     | 6.48       | 6.68  | 6.88  |
| L      | 12.68      | 12.98 | 13.28 |
| L1     | 3.10       | 3.20  | 3.30  |
| L2     | 6.50REF    |       |       |
| φP     | 3.08       | 3.18  | 3.28  |
| φP1    | 1.40       | 1.50  | 1.60  |
| Q      | 3.20       | --    | 3.40  |
| θ      | 1°         | 5°    | 7°    |
| θ 1    | 42°        | 45°   | 48°   |

NOTES: 1. PKG  SURFACE IS MATTE Ra1.2~1.4;  
OTHERS IS POLISHED Ra0.15;

|                                                                                                                 |            |            |          |                 |
|-----------------------------------------------------------------------------------------------------------------|------------|------------|----------|-----------------|
| <br>THIRD ANGLE PROJECTION | SCALE      | UNIT       | mm       | TITLE           |
|                                                                                                                 | DATE       | 2019-01-14 |          | T0-220F-3L产品成型图 |
| TOLERANCE                                                                                                       | DESIGNER   | CHECKER    | APPROVER | DWG.ND.         |
|                                                                                                                 | 陈露         |            |          | MT-PD-023       |
|                                                                                                                 | 2019-01-14 |            |          | VERSION         |
|                                                                                                                 |            |            |          | D 第1页 共1页       |