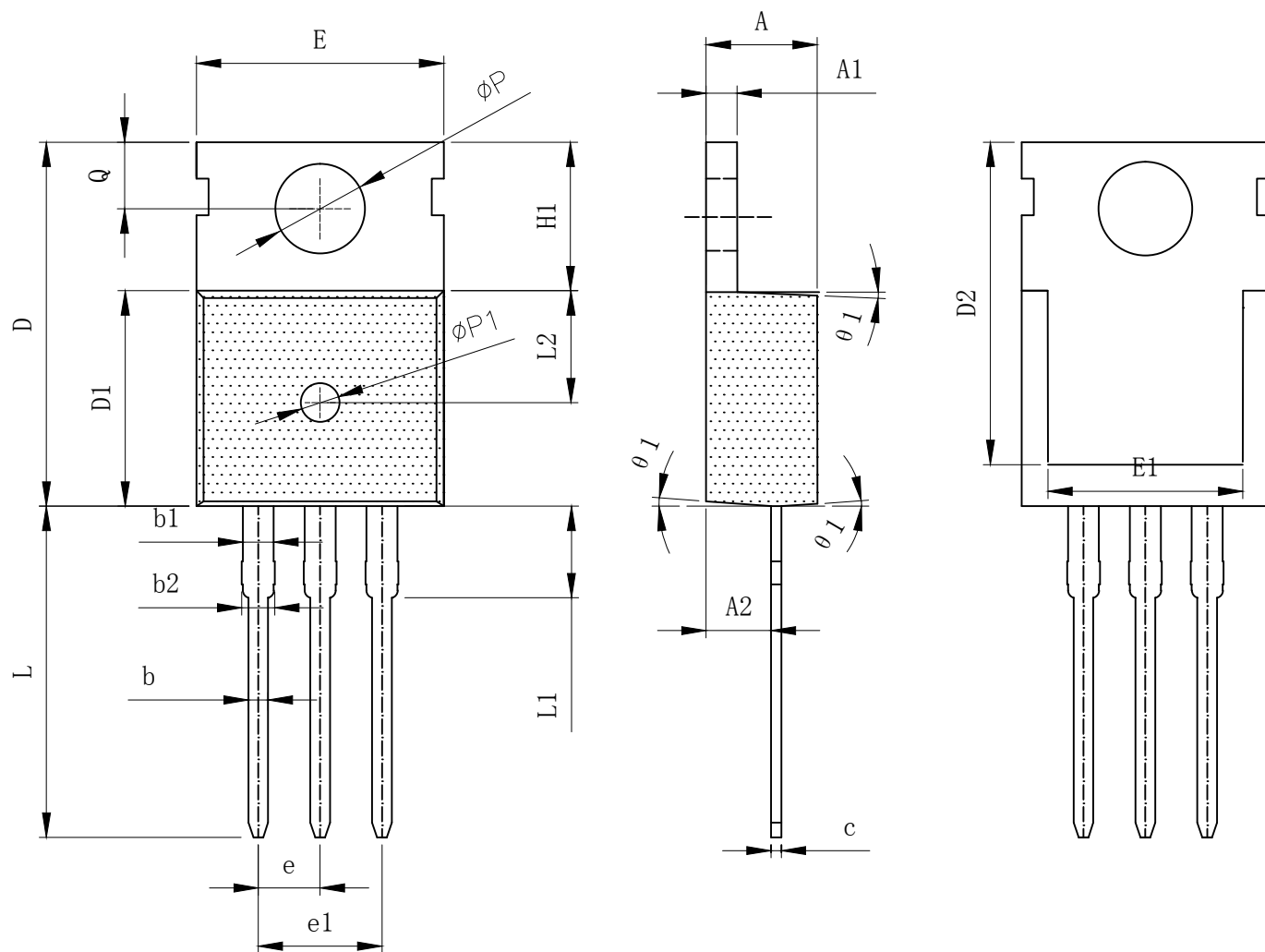



MARK	MARK	REVISION RECORD	REVISERE	APPROVER
△				
△				



SYMBOL	MILLIMETER		
	MIN	NOM	MAX
A	4.40	4.50	4.60
A1	1.25	1.30	1.35
A2	2.30	2.40	2.50
b	0.70	0.80	0.90
b1	1.21	1.27	1.40
b2	1.25	1.35	1.45
c	0.40	0.50	0.60
D	15.50	15.80	16.10
D1	9.10	9.20	9.30
D2	13.14	13.24	13.70
E	9.70	9.90	10.20
E1	7.60	8.00	8.40
e	2.54 (BSC)		
e1	5.08 (BSC)		
H1	6.30	6.50	6.80
L	12.75	13.08	13.50
L1	--	--	3.10
L2	4.30	4.60	4.90
phi P	3.50	3.60	3.70
phi P1	1.40	1.50	1.60
Q	2.70	--	2.90
theta 1	1°	3°	5°

NOTES: 1. PKG  SURFACE IS MATTE Ra1.2~1.4;
OTHERS IS POLISHED Ra0.15;

 THIRD ANGLE PROJECTION	SCALE	UNIT	mm	TITLE
	DATE	2019-09-29		TO-220FB-3L产品成型图
TOLERANCE	DESIGNER	CHECKER	APPROVER	DWG.ND.
	陈露			MT-PD-022
	2019-09-29			VERSION
				C 第1页 共1页