

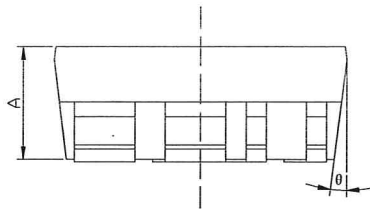
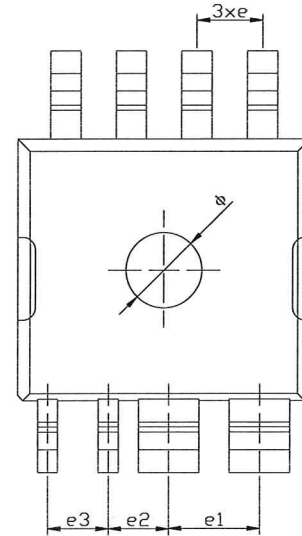
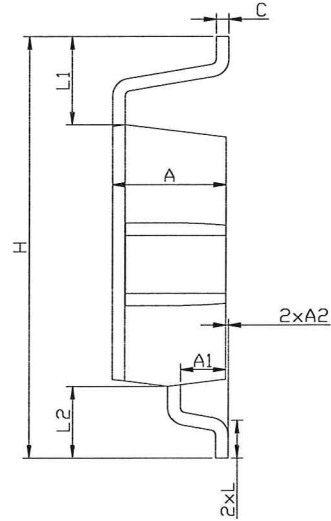
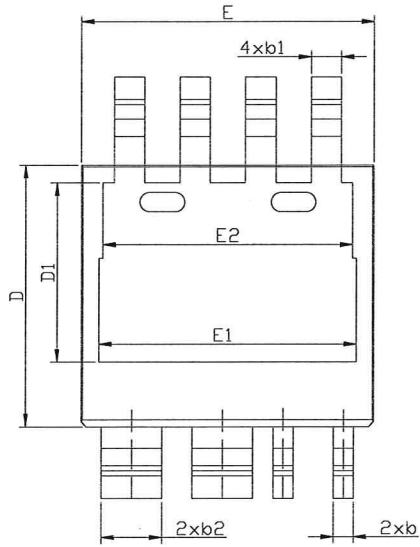


MARK	
①	
②	

REVISION RECORD

VERSION

REVISERE



SYMBOL	MILLIMETER		
	MIN	NOM	MAX
A	4.40	4.50	4.60
A1	1.70	1.80	1.90
A2	0.00	/	0.20
b	0.70	0.80	0.90
b1	1.10	1.20	1.30
b2	2.30	2.40	2.50
c	0.40	0.50	0.60
D	10.30	10.40	10.50
D1	6.92	7.12	7.32
E	11.50	11.60	11.70
E1	10.00	10.20	10.40
E2	9.70	9.90	10.10
e	2.60BSC		
e1	3.60BSC		
e2	2.40BSC		
e3	2.40BSC		
L	1.30	1.50	1.70
L1	3.34	3.54	3.74
L2	2.66	2.86	3.05
H	16.50	16.80	17.10
φ	2.90	3.00	3.10
θ	5°	7°	9°

技术说明:

- 1) LEADFRAME MATERIAL: COPPER;  
引线框架材料: 铜;
- 2) LEADFRAME THICKNESS: 0.500mm;  
引线框架厚度: 0.500mm;
- 3) BOTH PACKAGE LENGTH AND WIDTH DO NOT INCLUDE MOLD FLASH;  
塑封体长度及宽度尺寸不包括塑封溢胶;
- 4) REFERENCE: JEDEC MS-013, MS-012.  
参考标准: JEDEC MS-013, MS-012.

 THIRD ANGLE PROJECTION				SCALE	UNIT	mm	TITLE T0263T-8L产品成型图	
				DATE	2025-06-08			
DESIGNER	CHECKED	CHECKED	REVIEW	APPROVER	DWG.NO.		MT-PD-313	
谢鸿 2025-06-08					VERSION	A	第1页 共1页	