



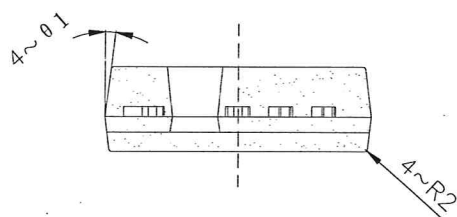
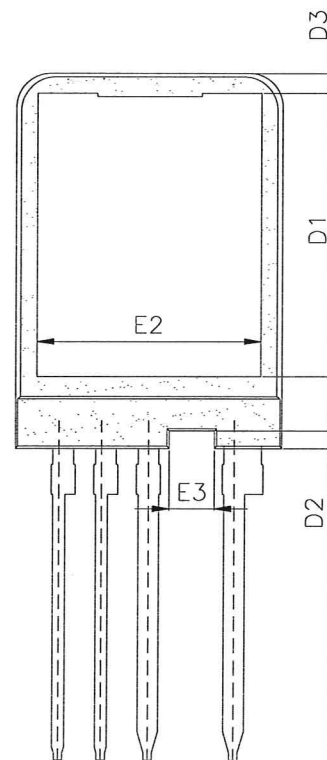
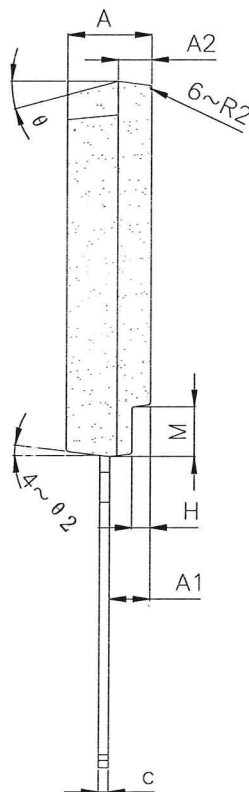
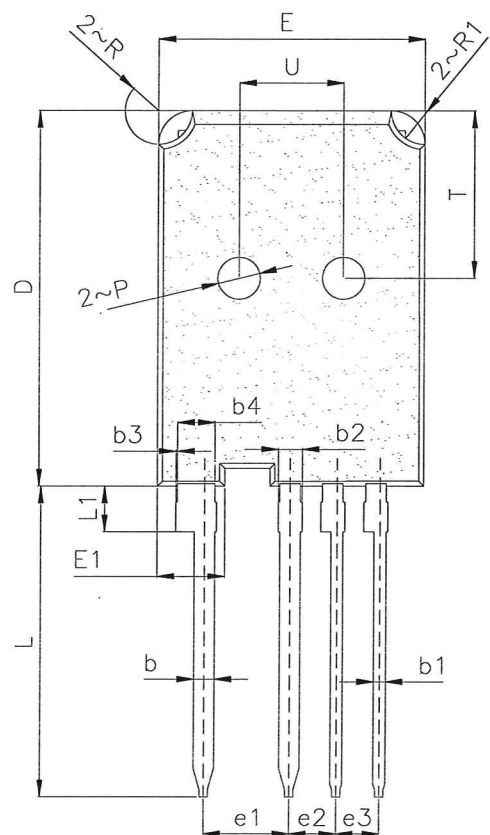
MARK



REVISION RECORD

VERSION

REVISERE



SYMBOL	MILLIMETER		
	MIN	NOM	MAX
A	4.90	5.00	5.10
A1	2.31	2.41	2.51
A2	1.90	2.00	2.10
b	1.16	1.225	1.29
b1	0.65	0.72	0.79
b2	1.36	1.425	1.49
b3	0.00	0.10	0.20
b4	2.16	2.225	2.29
c	0.59	0.625	0.66
D	22.30	22.40	22.50
D1	16.65	16.95	17.25
D2	1.00	1.05	1.10
D3	1.05	1.17	1.35
E	15.70	15.80	15.90
E1	3.90	4.00	4.10
E2	13.10	13.30	13.50
E3	2.58	2.68	2.78
e1	5.08 BSC		
e2	2.79 BSC		
e3	2.54 BSC		
H	1.00	1.10	1.20
L	18.46	18.56	18.66
L1	2.62	2.72	2.82
M	2.85	2.95	3.05
P	2.40	2.50	2.60
R	1.90	2.00	2.10
R1	1.90	2.00	2.10
R2	0.05	0.15	0.25
T	9.80	--	10.20
U	6.00	--	6.40
theta	13°	--	17°
theta 1	5°	--	9°
theta 2	5°	--	9°

- NOTES: 1. PKG SURFACE IS MATTE Ra0.7~0.9; OTHERS IS POLISHED Ra0.15;
 2. EJECTION MARK DEPTH 0.10±0.05mm;
 3. L/F THICKNESS AFTER PLATING 0.60±0.025;
 4. ALL DIMENSIONS IN MILLIMETERS;

DCC受控

		SCALE	UNIT	mm	TITLE
THIRD ANGLE PROJECTION		DATE	2025-09-03		T0-247PlusJ-4L
DESIGNER	CHECKED	CHECKED	REVIEW	APPROVER	产品成型图
谢鸿 2025-09-03	/	杨俊	2025.9.11	曹勇	DWG.ND. MT-PD-350
				VERSION	A 第1页 共1页

2025.9.17