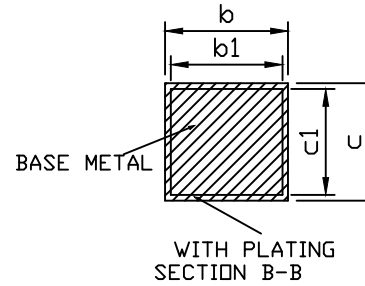
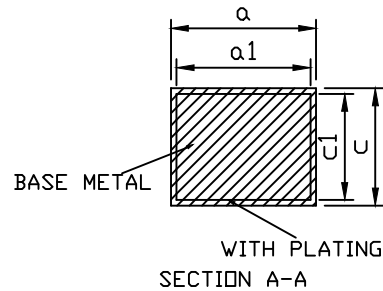
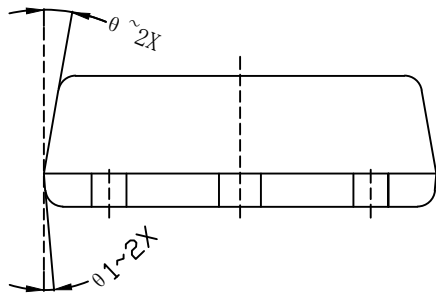
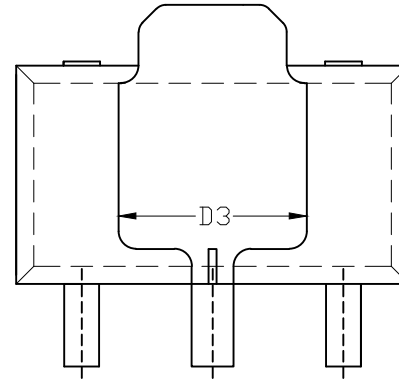
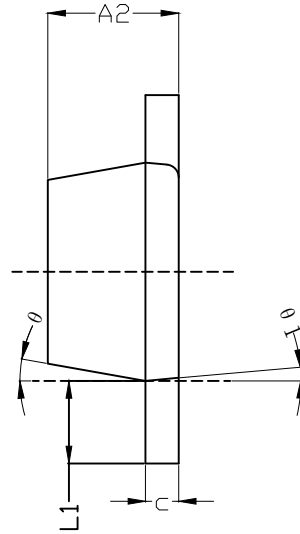
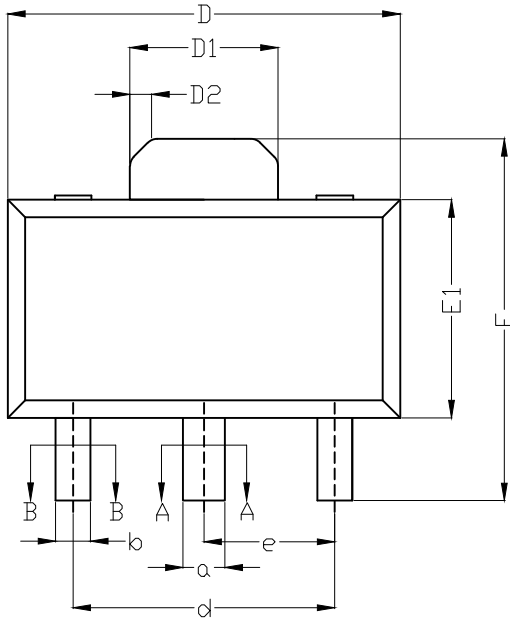


| MARK | MARK | REVISION RECORD | REVISERE | APPROVER |
|------|------|-----------------|----------|----------|
| △ | | | | |
| △ | | | | |



| SYMBOL | MILLIMETER | | |
|--------|------------|------|------|
| | MIN | NOM | MAX |
| A2 | 1.40 | 1.50 | 1.60 |
| a | 0.46 | -- | 0.56 |
| a1 | 0.45 | 0.48 | 0.51 |
| b | 0.38 | -- | 0.46 |
| b1 | 0.37 | 0.40 | 0.43 |
| c | 0.38 | -- | 0.42 |
| c1 | 0.37 | 0.38 | 0.39 |
| D | 4.40 | M | 4.60 |
| D1 | 1.70 REF | | |
| D2 | 0.25 REF | | |
| D3 | 2.158 REF | | |
| d | 3.00 BSC | | |
| E | 4.05 | 4.15 | 4.25 |
| E1 | 2.40 | 2.50 | 2.60 |
| e | 1.50 BSC | | |
| L1 | 0.85 | 0.95 | 1.05 |
| θ | 8° | ~ | 12° |
| θ1 | 3° | ~ | 7° |

技术说明:

- 1) LEADFRAME MATERIAL: COPPER;
引线框架材料: 铜;
- 2) LEADFRAME THICKNESS: 0.381mm;
引线框架厚度: 0.381mm;
- 3) BOTH PACKAGE LENGTH AND WIDTH DO NOT INCLUDE MOLD FLASH;
塑封体长度及宽度尺寸不包括塑封溢胶;
- 4) REFERENCE: JEDEC MS-013, MS-012.
参考标准: JEDEC MS-013, MS-012.

| | | | | |
|----------------------------|-------|------------|---------|-------------------|
| THIRD ANGLE PROJECTION | SCALE | UNIT | mm | TITLE |
| | DATE | 2020-06-10 | | |
| TOLERANCE | | DESIGNER | CHECKER | APPROVER |
| | | 陈露 | | |
| | | 2020-06-10 | | |
| | | | | DWG.NO. MT-PD-041 |
| | | | | VERSION A |