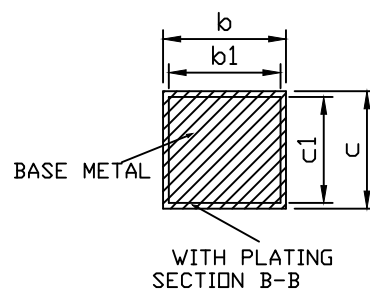
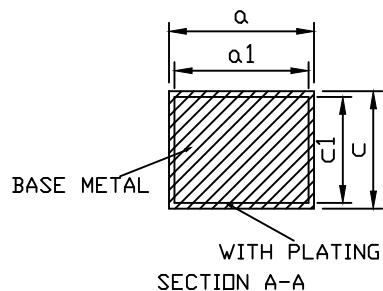
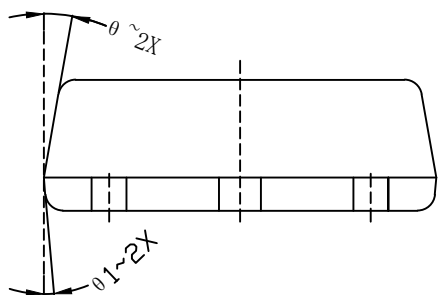
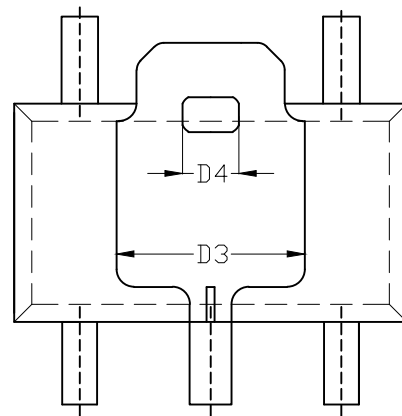
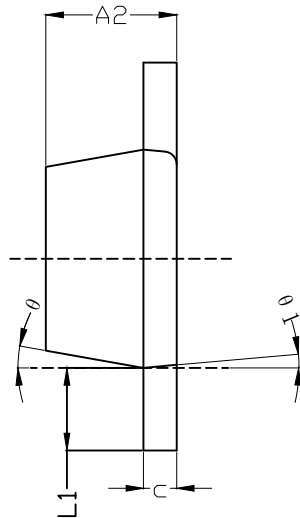
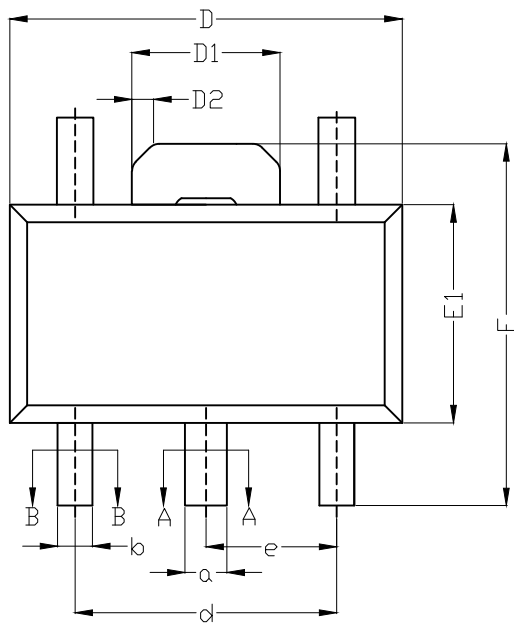


MARK	MARK	REVISION RECORD	REVISERE	APPROVER
△				
△				



SYMBOL	MILLIMETER		
	MIN	NOM	MAX
A2	1.40	1.50	1.60
a	0.46	--	0.56
a1	0.45	0.48	0.51
b	0.38	--	0.46
b1	0.37	0.40	0.43
c	0.38	--	0.42
c1	0.37	0.38	0.39
D	4.40	4.50	4.60
D1	1.70 REF		
D2	0.25 REF		
D3	2.158 REF		
D4	0.646 REF		
d	3.00 BSC		
E	4.05	4.15	4.25
E1	2.40	2.50	2.60
e	1.50 BSC		
L1	0.85	0.95	1.05
θ	8°	~	12°
θ1	3°	~	7°

技术说明:

- 1) LEADFRAME MATERIAL: COPPER;
引线框架材料: 铜;
- 2) LEADFRAME THICKNESS: 0.381mm;
引线框架厚度: 0.381mm;
- 3) BOTH PACKAGE LENGTH AND WIDTH DO NOT INCLUDE MOLD FLASH;
塑封体长度及宽度尺寸不包括塑封溢胶;
- 4) REFERENCE: JEDEC MS-013, MS-012.
参考标准: JEDEC MS-013, MS-012.

 THIRD ANGLE PROJECTION	SCALE	UNIT	mm	TITLE		
	DATE	2020-06-10			SOT89-5L产品成型图	
TOLERANCE				DESIGNER		CHECKER
				陈露		
				2020-06-10		
						DWG.NO. MT-PD-042
						VERSION A